

# RAIL MURAL, FIXATIONS ET EMBOUTS

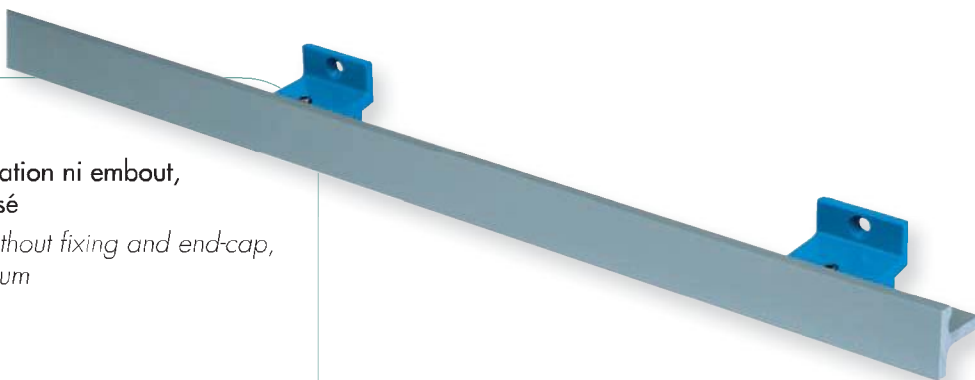
## Rail / Wall rail

### 15606

- Rail seul, sans fixation ni embout, aluminium anodisé
- Wall rail only, without fixing and end-cap, anodised aluminium

### 15626

- Rail seul, sans fixation ni embout, par longueur de 3,65 m maximum (perte de 10 cm)
- Wall rail only, without fixing and end-cap, for 3.65 m length maximum (loss of 10 cm)



## Fixations murales / Wall rail fixings



### 15611

- Fixation murale **standard**, 50 mm, rilsanisée, avec vis STHC 8 x 8
- **Standard duty** wall rail fixing, 50 mm, Rilsan coated aluminium, with 8x8 hollow hexagonal headless stainless steel screws

### 15612

- Fixation murale **haute résistance**, 80 mm, rilsanisée, avec vis STHC 8 x 8
- **Heavy duty** wall rail fixing, 80 mm, Rilsan coated aluminium, with 8x8 hollow hexagonal headless stainless steel screws

### 15614

### 15619

- Fixation murale **haute résistance**, 80 mm, rilsanisée, avec vis STHC 8 x 8
- **Heavy duty** wall rail fixing, 80 mm, Rilsan coated aluminium, with 8x8 hollow hexagonal headless stainless steel screws

### 15620

### 15622



Cheilles, vis et cache-vis à commander séparément  
Anchors, screws and caps to be ordered separately

## Embouts de protection / PVC Rail end-caps

### 15528



### 15529



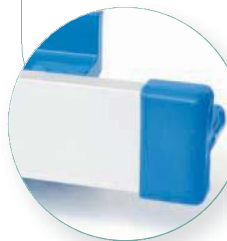
### 15530



### 15531



### 15533



## Vis & Chevilles / Screws and anchors

### 16356

- Vis inox TFHC 6x50 pour chevilles de fixation, avec cache-vis plastique\*
- Stainless steel hollow hexagonal countersunk head screw, 6x50 for fixing anchors, with plastic screw cover\*

### 16292

- Capuchon cache-vis, plastique blanc, pour vis TFHC M6\*
- White plastic screw cover for M6 hollow hexagonal countersunk head screw\*,

### 16331

- Cheville "HE" M6 pour matériaux pleins
- M6 anchor, model "HE" for solid base material

### 16334

- Cheville "RN" M6 pour matériaux creux
- M6 anchor, model "RN" for hollow base material

### 16335

- Cheville "HHD" 6/65 pour matériaux creux
- 6/65 anchor model "HHD" for hollow base material

\* Minimum de commande : 10 pièces

\* Minimum quantity to be ordered: 10 pieces

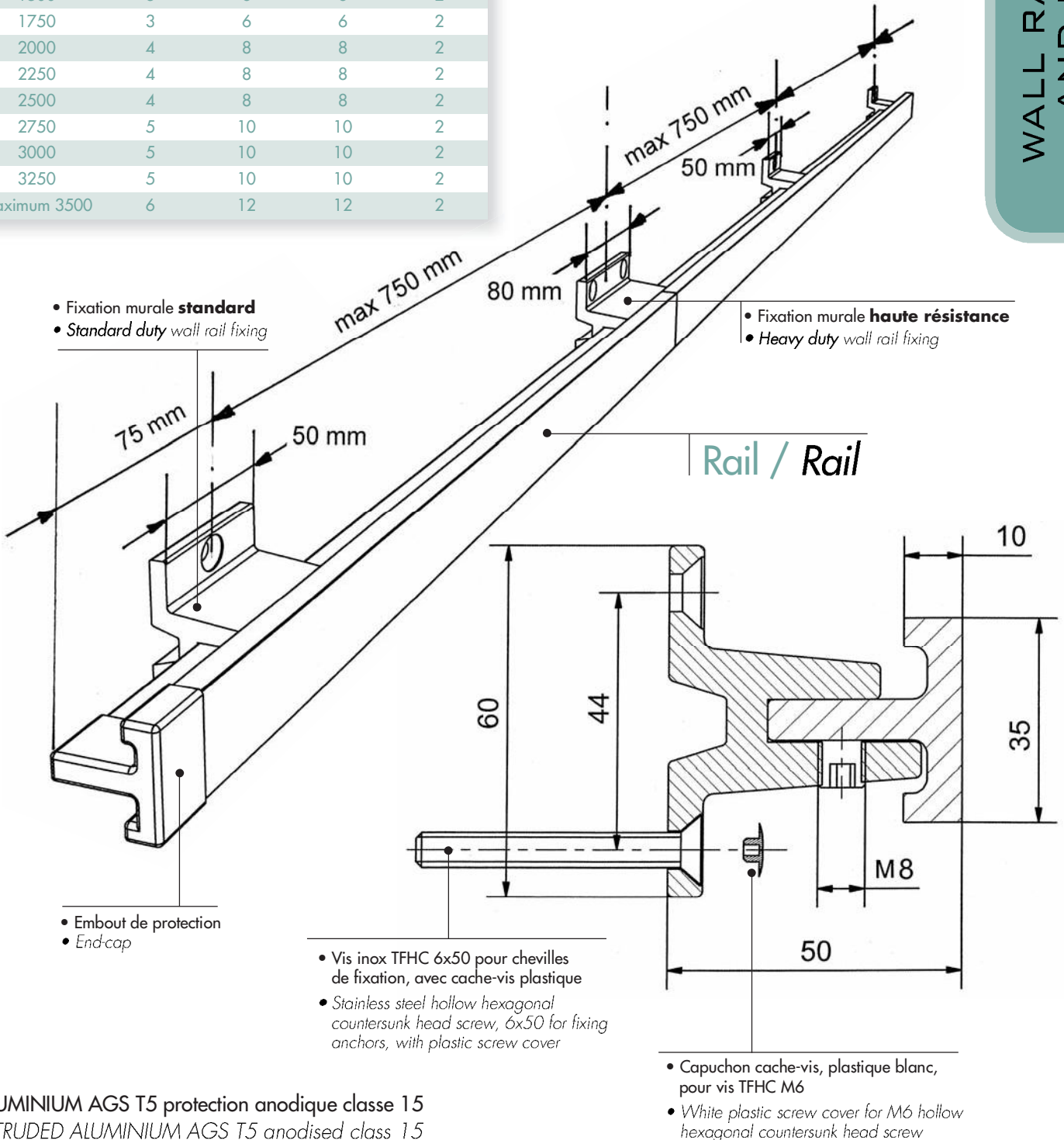
# RAIL MURAL, FIXATIONS ET EMBOUTS

WALL RAIL, FIXINGS AND END-CAPS

Comment passer votre commande ?

How to place your order ?

Rail / Rail	Quantité / Quantity			
Longueur (mm) Length (mm)	Fixations Fixings	Vis Screws	Cheilles Anchors	Embout End-caps
Minimum 500	2	4	4	2
750	2	4	4	2
1000	2	4	4	2
1250	3	6	6	2
1500	3	6	6	2
1750	3	6	6	2
2000	4	8	8	2
2250	4	8	8	2
2500	4	8	8	2
2750	5	10	10	2
3000	5	10	10	2
3250	5	10	10	2
Maximum 3500	6	12	12	2



ALUMINIUM AGS T5 protection anodique classe 15  
EXTRUDED ALUMINIUM AGS T5 anodised class 15

Norme Européenne NF EN 12218 / European standard NF EN 12218